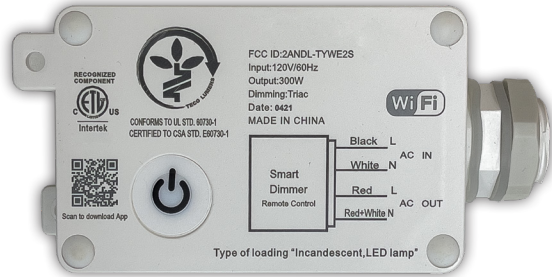


WEC SERIES OUTDOOR LIGHTING

WEC-MOD-010V-BT

SMART LIGHTING CONTROL MODULE 1000W 0-10V
BLUETOOTH IP65 - DIM/ON-OFF/SCHEDULE

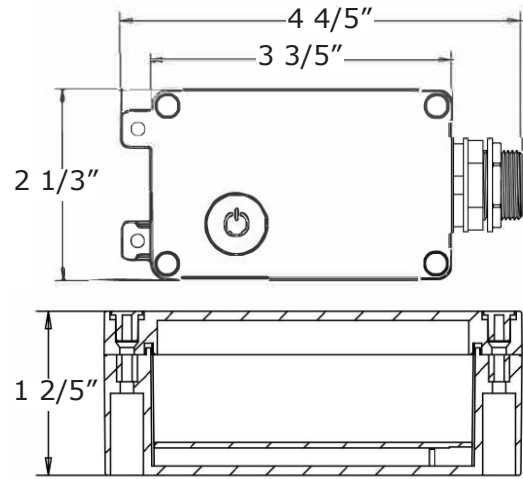


Customer Name: _____

Project Name: _____

Note: _____

Type: _____



2 1/3" H x 1 2/5" D x 4 4/5" W

The smart lighting control module allows you to control the light easily via mobile applications (Westgate Smart Phone App) and innovative speakers from Amazon and Google as long as the Internet and Bluetooth are available. This device supports any 0-10V lighting fixture. IP65 weatherproof is suitable for outdoor use. Turn light on/off, Dim, or schedule dimming/on-off. one unit can be wired to multiple fixtures for a maximum 1000W.

Features

- Compatible with Westgate Smart App, Amazon Alexa, Amazon Echo, Google Home. Connects via Bluetooth
- 1/2" NPT Threaded Connector
- 5-Year Warranty
- IP65, Suitable for Wet Location

Technical Specifications

Electrical:

- Voltage: 120-277V AC 60Hz
- Wattage: 1000W
- Dimmable: 0-10V
- Bluetooth Connection Range: approximately 30 feet (10 meters). maximum communication range will vary depending on obstacles (person, metal, wall, etc.) or electromagnetic environment.

Applications:

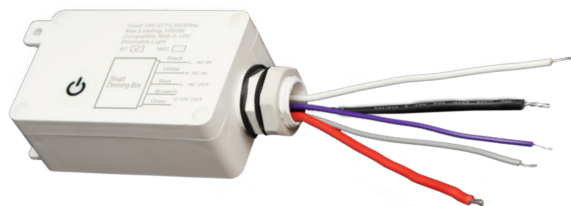
- Storage rooms
- Offices
- Conference rooms
- Retail
- Reception Areas
- Hallways
- Education Facilities

Mechanical:

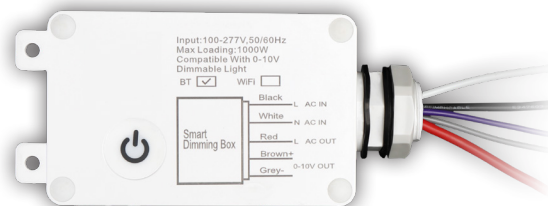
- This Fixture is Bluetooth mesh Enabled. Bluetooth mesh networking enables many-to-many (m:m) device communications and is optimized for creating large-scale device networks. It is ideally suited for control monitoring and automation solutions that require tens, hundreds or thousands of devices to communicate with one another.
- 1/2" NPT Threaded Connector
- 5-year Warranty
- IP65, Suitable for Wet Location



Other Views:



Side View



Front View

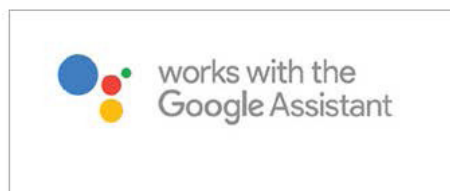
Performance Table: WEC-MOD-010V-BT

MODEL NO.	Wattage	Voltage
WEC-MOD-010-BT	1000W	120~277V

Sample Ordering

Model **Style** **Dimming** **Connection Type**

WEC - MOD - 010V - BT



- For Setting Up The Light(s), Initial Internet Connection or Mobile Data Is Required.
- After the Initial Setup, Internet Connection is not Necessary Anymore. The lights Can Be Controlled with The Mobile App on The Phone or Tablet. Features Such as Dimming, Changing Colors, Lights Scenes, etc.
- Scheduling Feature Requires Internet Connection.
- Bluetooth Devices Need a Gateway (Sold Separately) In Order to Connect to WiFi Network (Internet)

